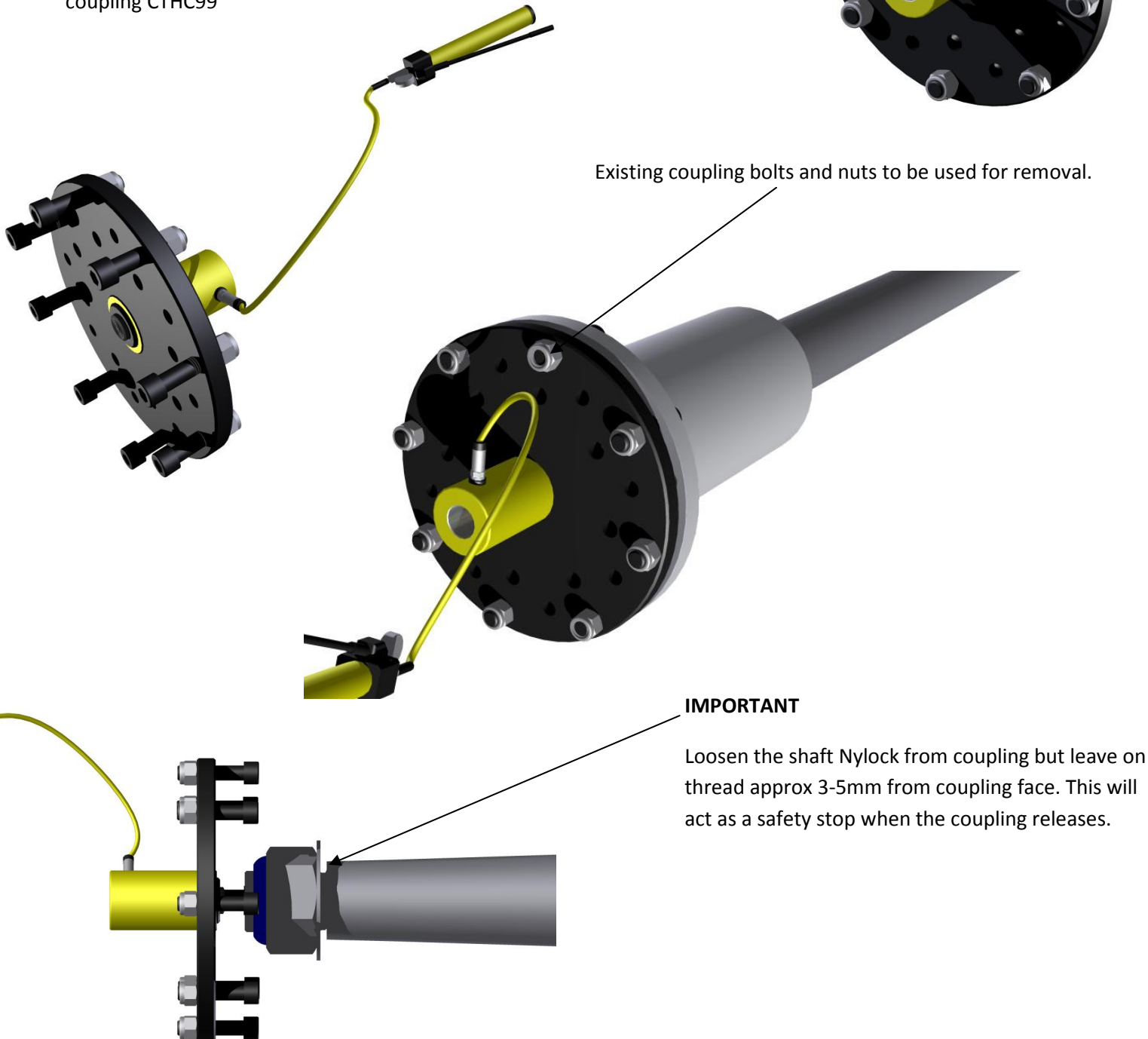


Hydraulic coupling removal Unit

- 3 interchangeable withdrawal plates to cover coupling range
- Extension adaptor piece required for coupling CTHC99



SAFETY NOTICE

BEFORE USE:

- Please read Enerpac instruction manuals :
* L1608 Rev B 03/05 * L2255 Rev O 06/04 * L1763 Rev I 12/05
- Ensure withdrawal plate thread is fully engaged with the hydraulic unit threaded body
- Ensure all available bolt holes are used on the plate when removing a coupling so the force is distributed evenly.

